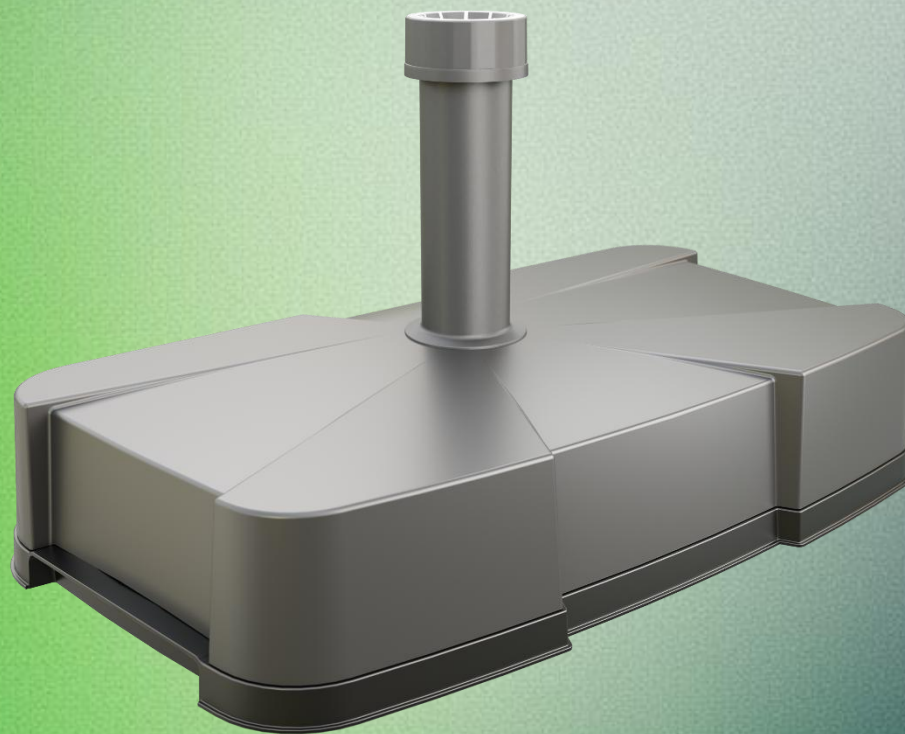


# 3-SERIES



the bases factory



# CONTENTS



**01** Recycling

**02** Overview

**03** Tubes

**04** Weight

**05** Colour

**06** Packaging





### Overview

- Compact
- Feet for stability
- Few parts
- Easy to assemble
- Fillable with sand and water
- Available in different versions

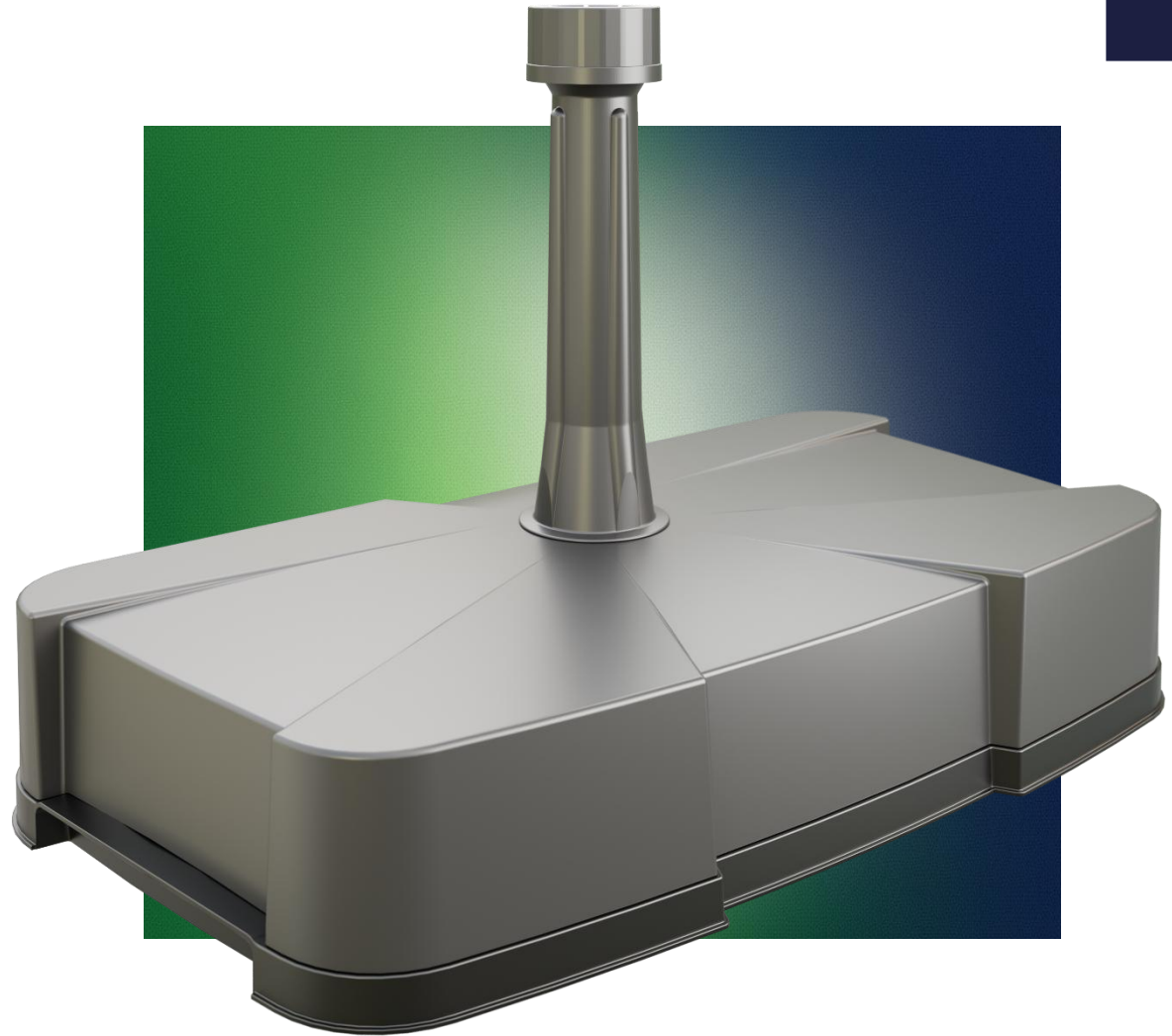


**03** Tubes



**L 590 W 320 H 110 mm**  
**Total height: 364 mm**

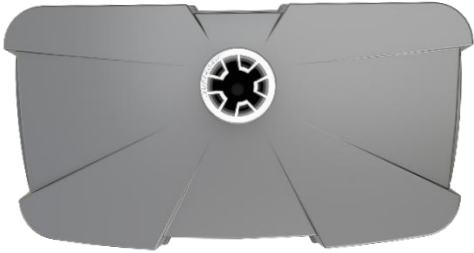
**38 mm**



**Material: Polypropylen (PP)**

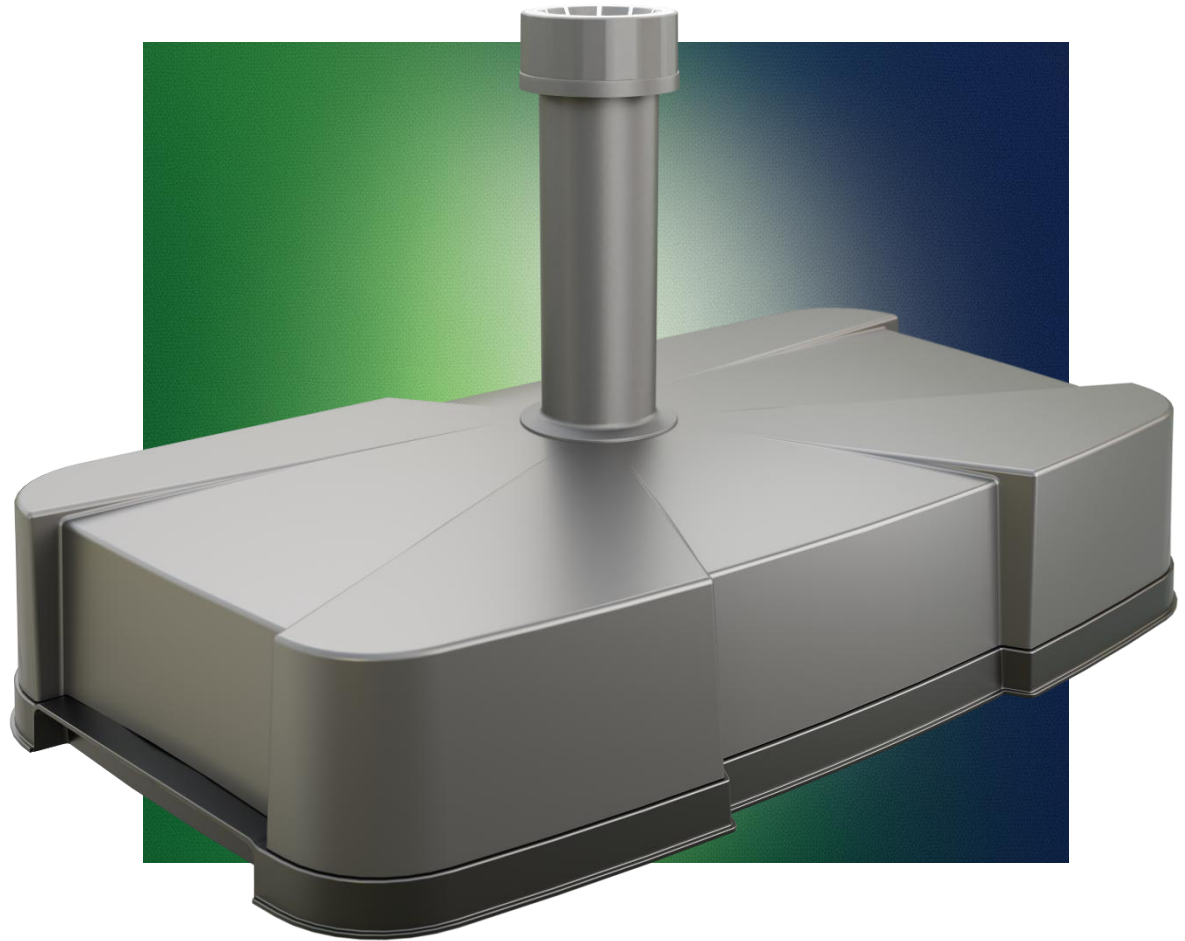
 **Ø 19-38 mm – Max. 3 m**

**03** Tubes



**L 590 W 320 H 110 mm**  
**Total height: 329 mm**

**54 mm**



Material: Polypropylen (PP)

 Ø 21-54 mm – Max. 3 m

### 03 Tubes

Supergrip

Reducer 38 mm

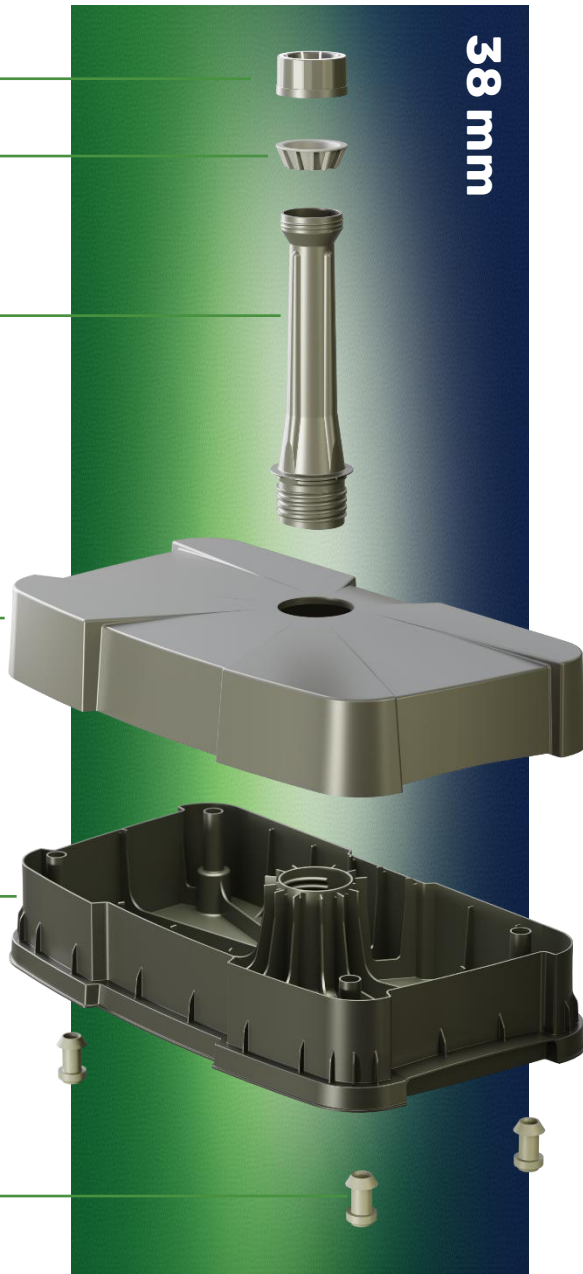
Tube 38 mm

Lid

Base

Feet

38 mm



54 mm

Supergrip

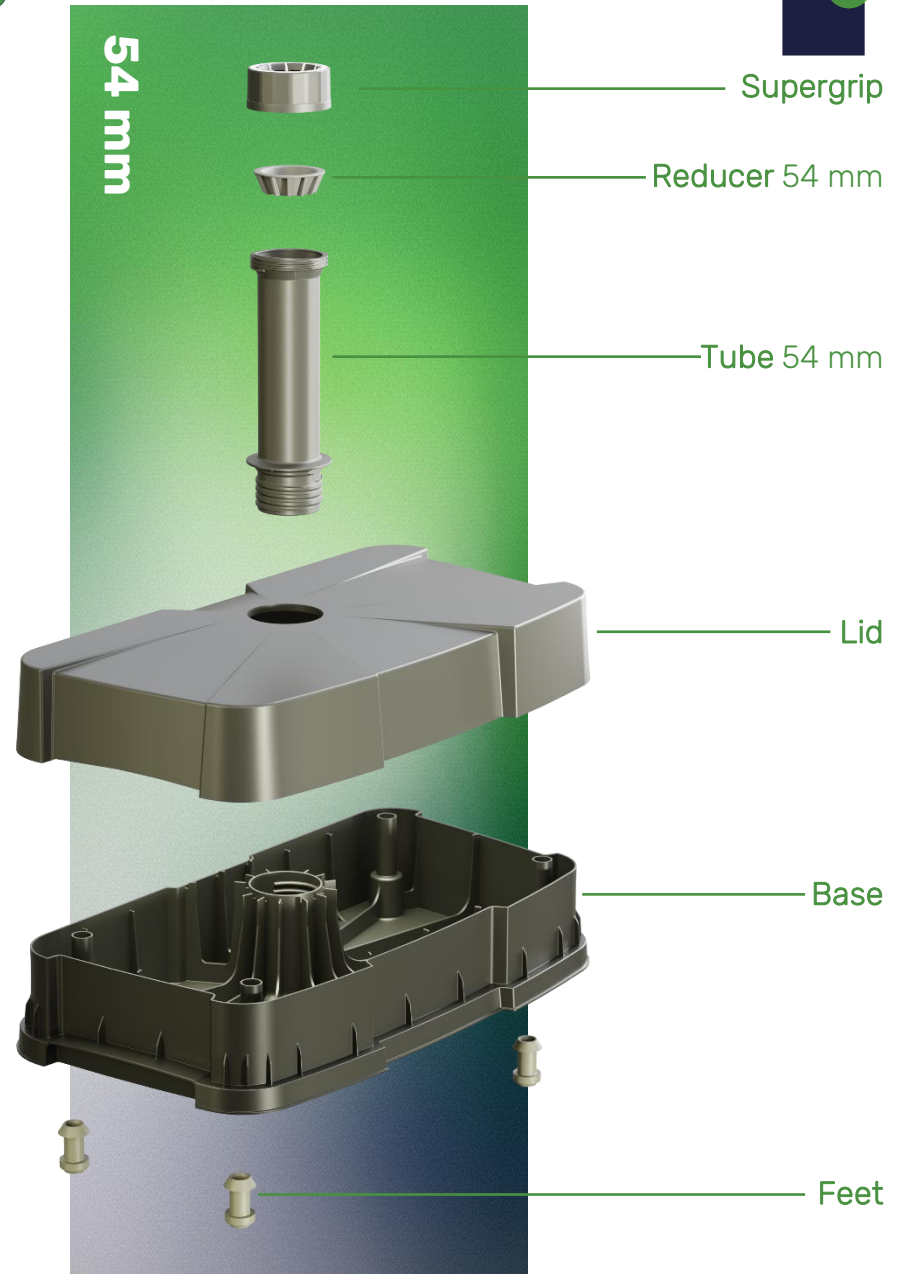
Reducer 54 mm

Tube 54 mm

Lid

Base

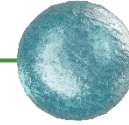
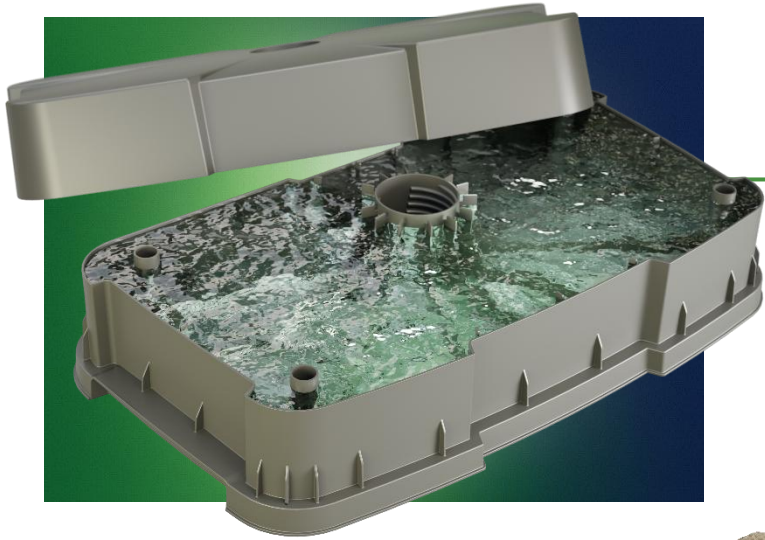
Feet



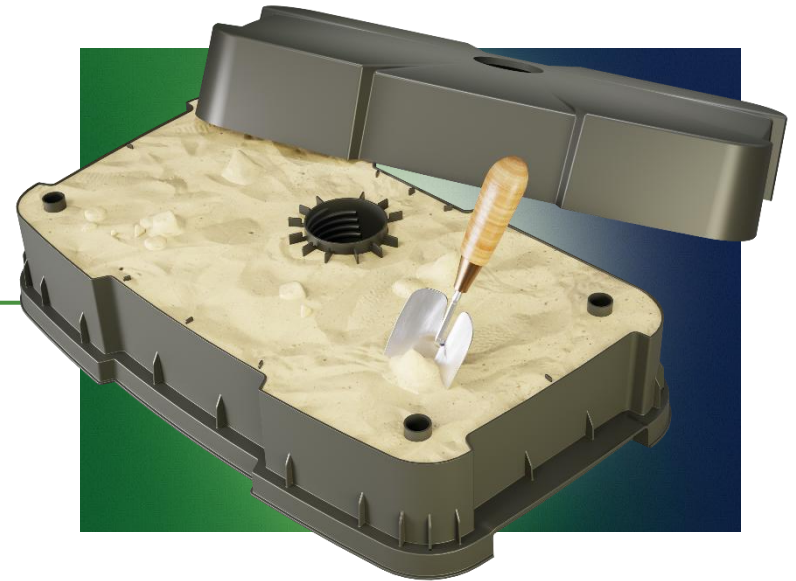


**04** Weight

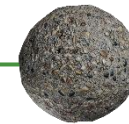
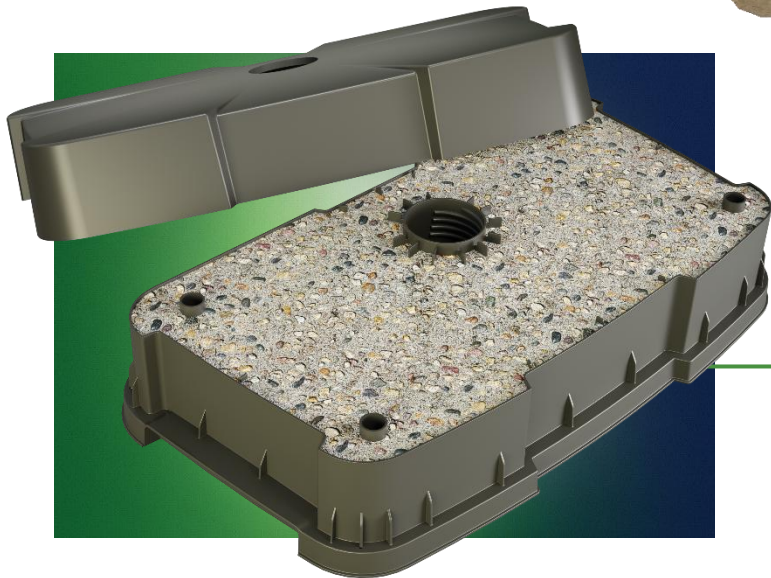
**Water**  
up to 15 kg



**Water and sand**  
up to 25 kg

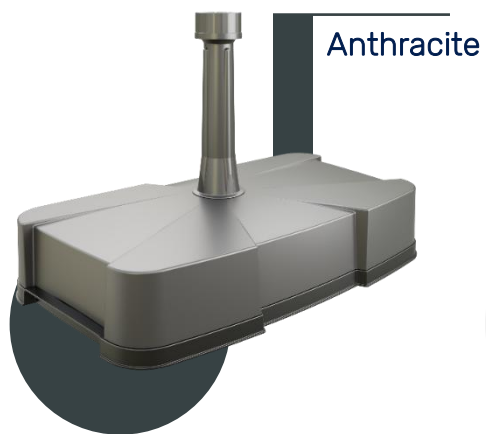


**Water, sand en gravel**  
up to 30 kg

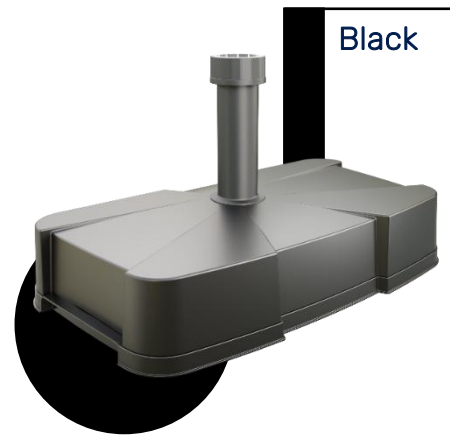
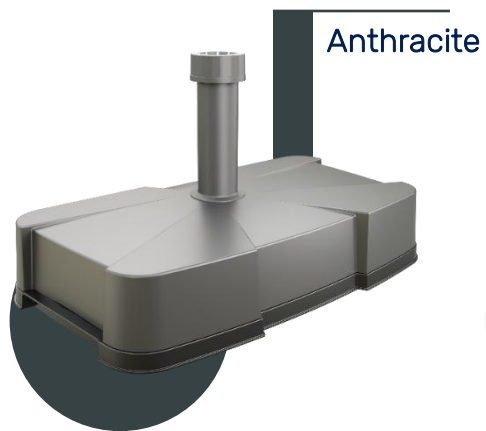




### 38 mm



### 54 mm





## PACKAGING

### Europallet

Max. height 1,80 m (incl. pallet): 52 stuks

**Package dimensions**  
59,8 x 33,1 x 11,9 cm





# 3-SERIES

the bases factory